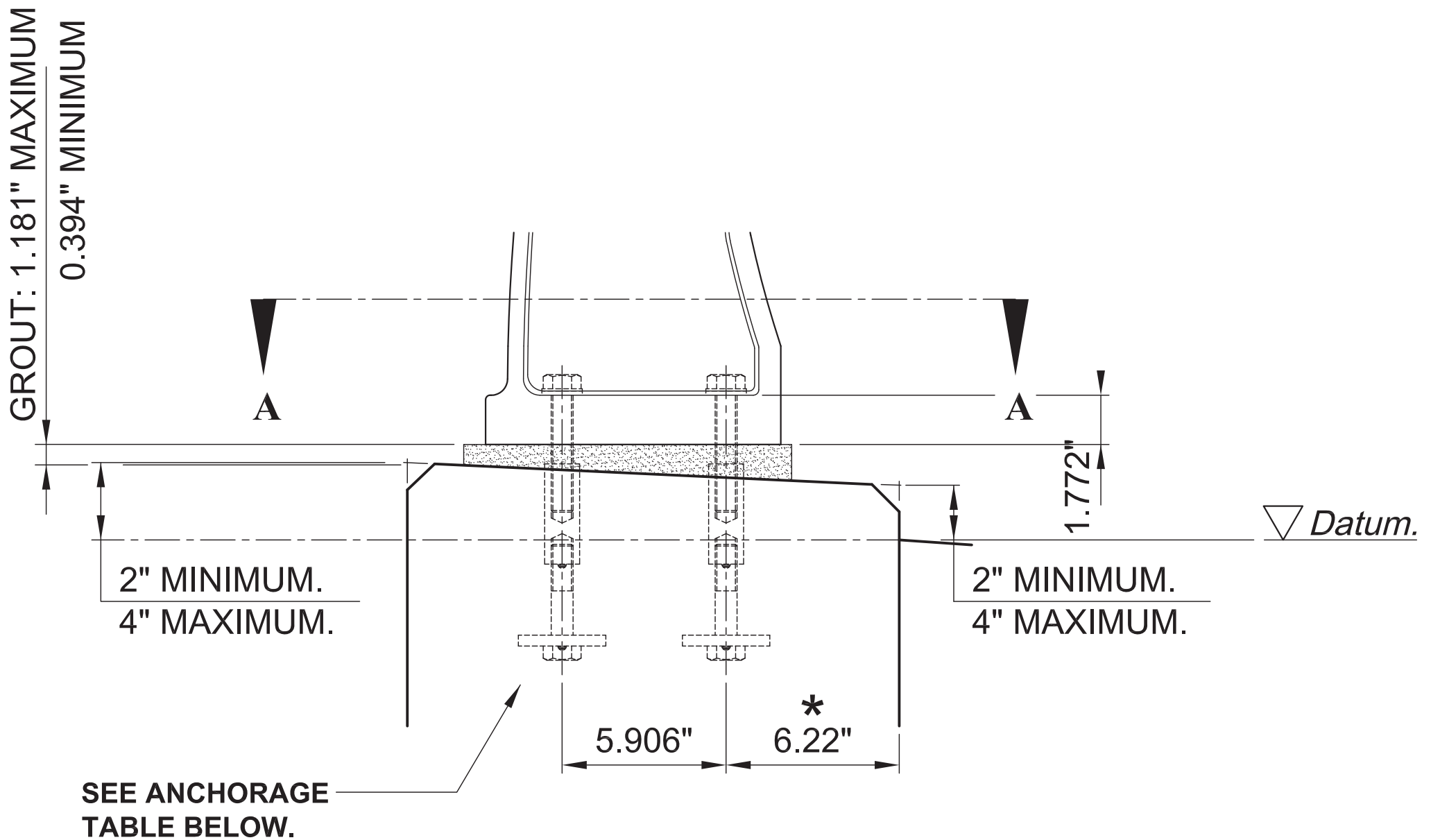
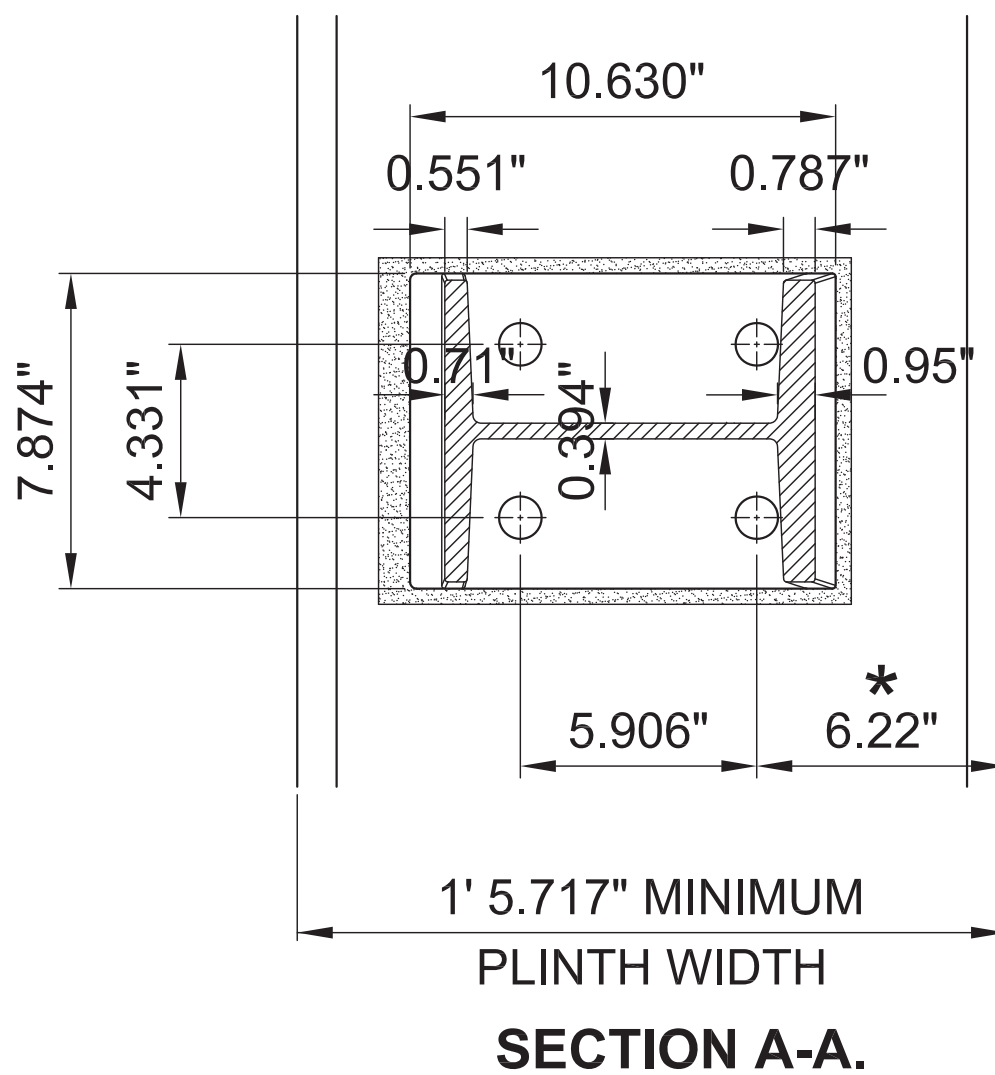


CROSS SECTION VGAN 300



SECTION THROUGH PARAPET.



MATERIAL VGAN 300 CROSS SECTION	
DATE DEC 2011	DRAWING NUMBER VGAN 300-CS-US-01



MDS Barriers
43 Franklin St
East Hartford CT 06108

Tel: 860-906-3390
Fax: 860-289-8035
e-mail: info@MDSbarriers.com