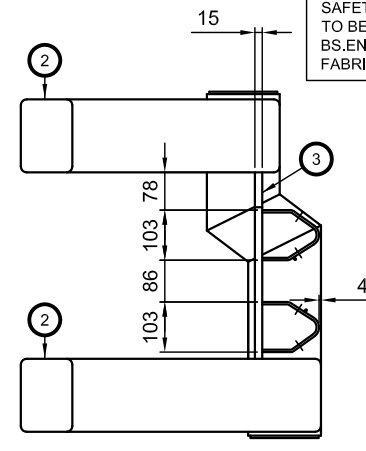
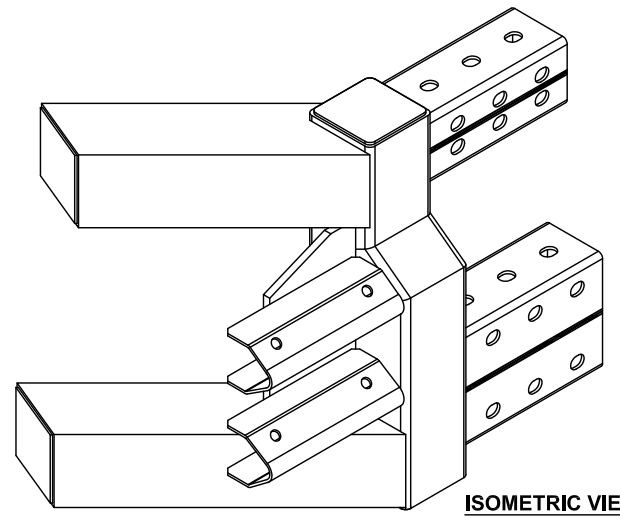
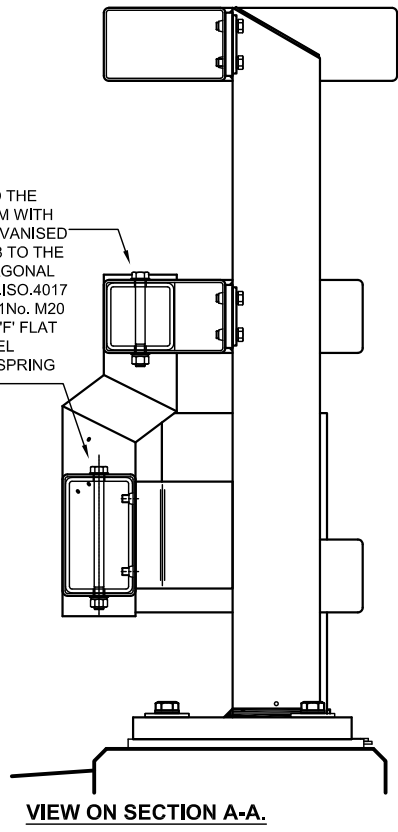
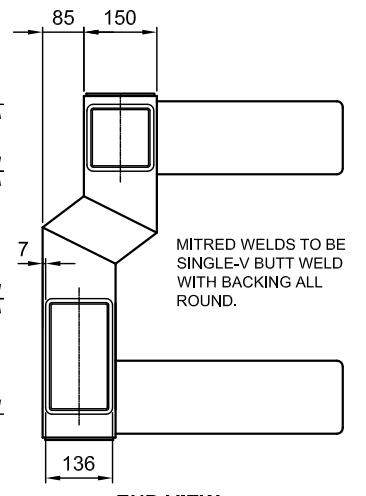
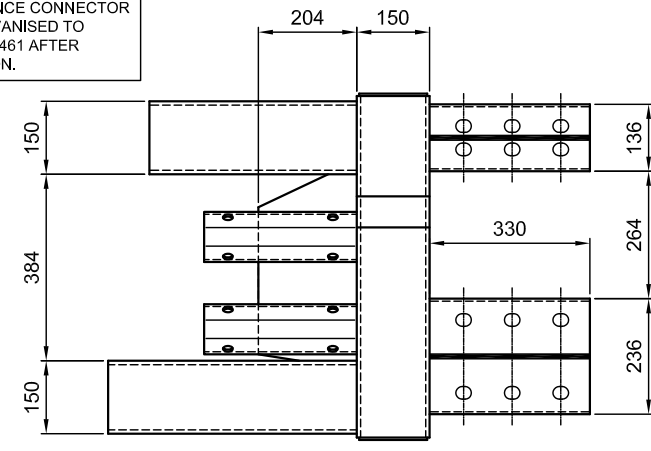


SAFETY FENCE CONNECTOR ATTACHED TO THE VGSH 4000 SERIES STEEL PARAPET SYSTEM WITH 3No. M20x180 LONG HEXAGONAL HEAD GALVANISED STEEL BOLTS TO BS.EN.ISO.4017 GRADE 8.8 TO THE MIDDLE RAIL AND 3No. M20x280 LONG HEXAGONAL HEAD GALVANISED STEEL BOLTS TO BS.EN.ISO.4017 GRADE 8.8 TO THE BOTTOM RAIL BOTH c/w 1No. M20 HEXAGONAL NUT GRADE 8 AND 2No. FORM 'F' FLAT WASHERS AND 1No. M20 GALVANISED STEEL SPRING WASHERS TIGHTENED UNTIL THE SPRING WASHERS ARE FLAT.

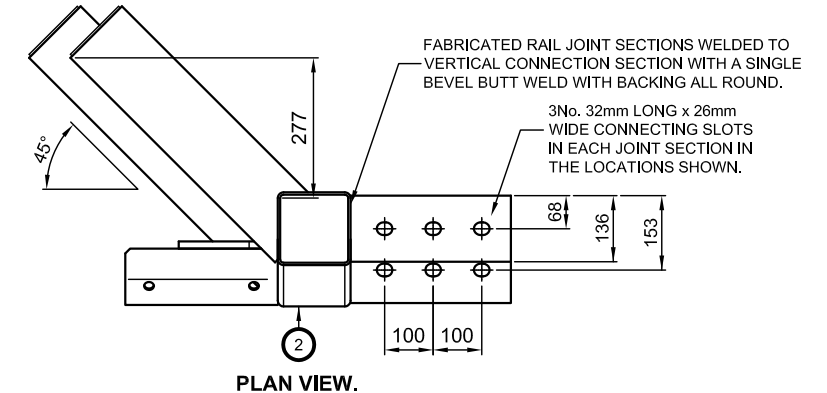
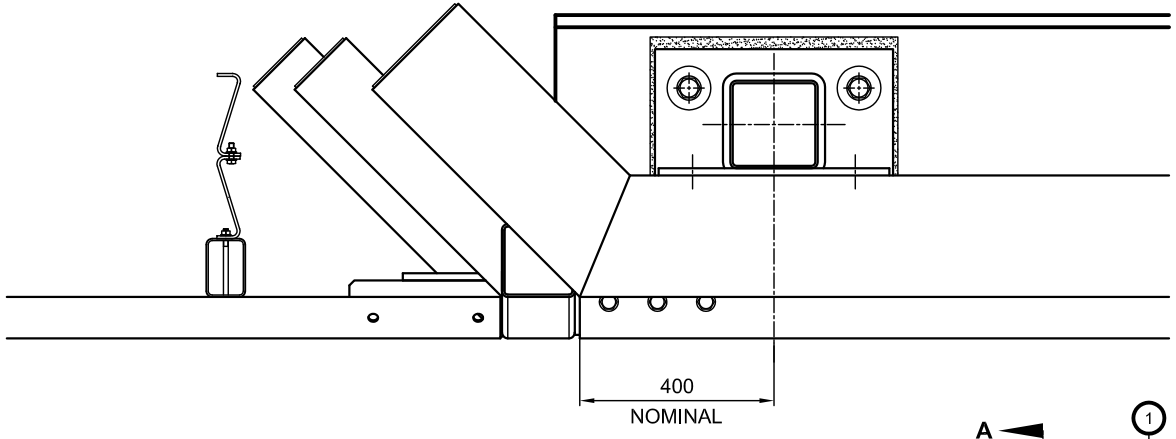


SAFETY FENCE CONNECTOR TO BE GALVANISED TO BS.EN.ISO.1461 AFTER FABRICATION.



MITRED WELDS TO BE SINGLE-V BUTT WELD WITH BACKING ALL ROUND.

UNLESS OTHERWISE STATED ALL WELD TO BE 5mm FILLET WELDS ALL ROUND WHERE ACCESSIBLE.

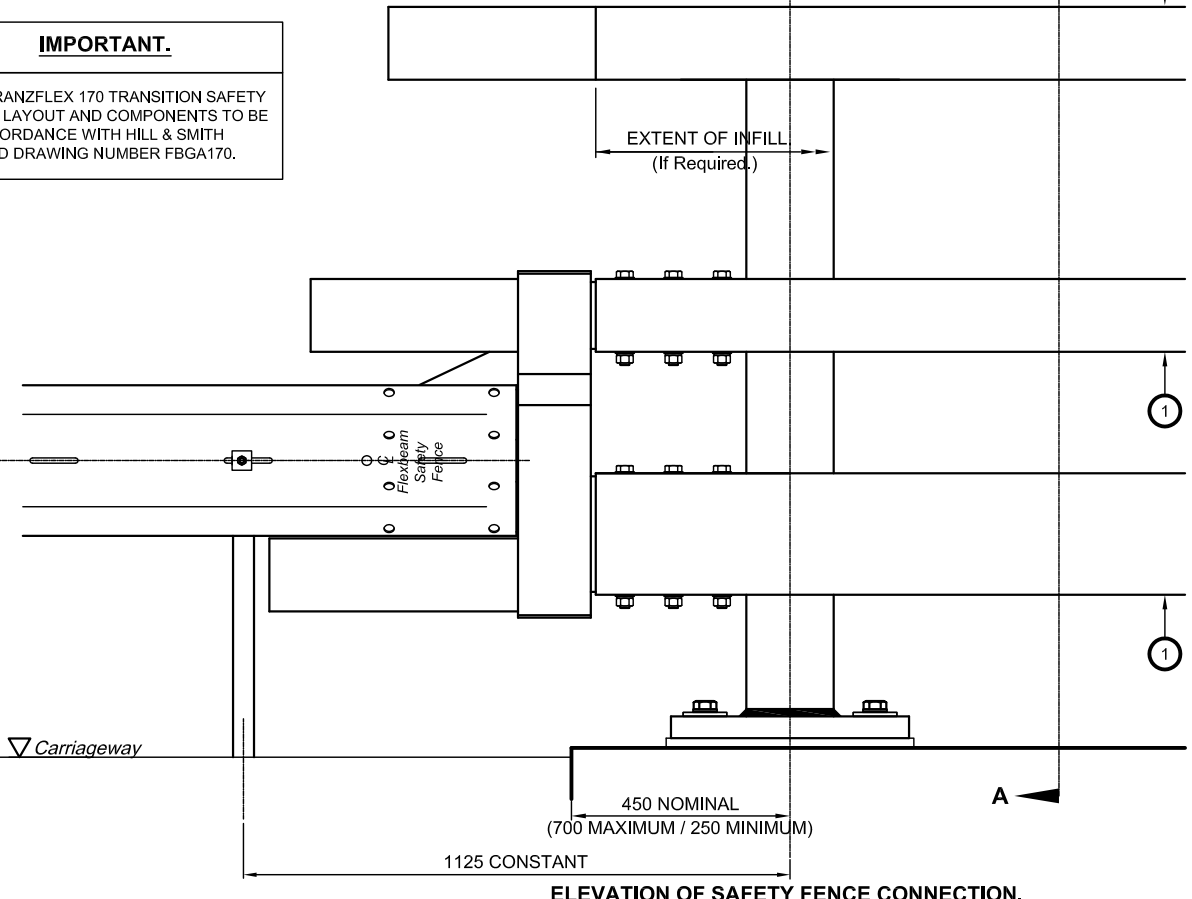
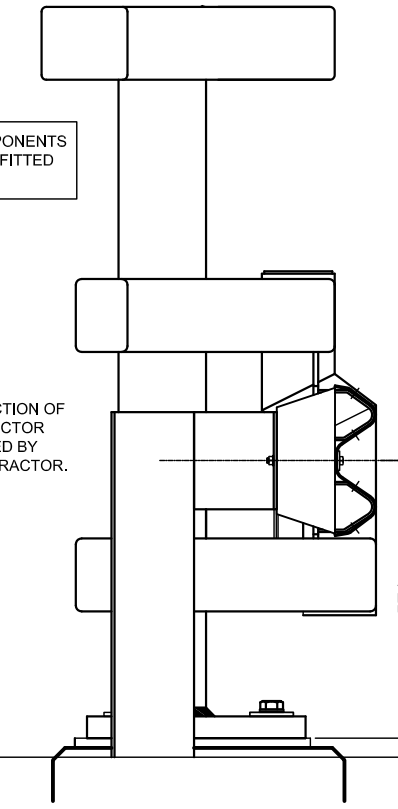


PLAN VIEW.
(APPROACH CONNECTOR SHOWN, DEPARTURE CONNECTOR SIMILAR BUT HANDED.)

TRANZFLEX 170 COMPONENTS TO BE SUPPLIED AND FITTED BY OTHERS.

IMPORTANT.
THE TRANZFLEX 170 TRANSITION SAFETY FENCE LAYOUT AND COMPONENTS TO BE IN ACCORDANCE WITH HILL & SMITH LIMITED DRAWING NUMBER FBGA170.

FIXINGS FOR CONNECTION OF FLEXBEAM TO CONNECTOR PLATE TO BE SUPPLIED BY SAFETY FENCE CONTRACTOR.



- NOTES:**
- 1/. TO BE READ IN CONJUNCTION WITH HILL & SMITH LIMITED DRAWING NUMBER FBGA170.
 - 2/. CONNECTOR TO APPLY TO ANY HEIGHT AND PARAPET TYPE FOR ATTACHMENT TO SINGLE HEIGHT SAFETY FENCE.
 - 3/. TRANZFLEX 170 TRANSITION SAFETY FENCE CONNECTION BOLTS, NUTS AND WASHERS TO BE SUPPLIED AS PART OF THE SAFETY FENCE.

Rev	Date	By	Description

MANUFACTURING TOLERANCES.	
TOLERANCES AS SHOWN UNLESS STATED OTHERWISE.	
DIMENSIONS.	TOLERANCES.
GREATER THAN 1000mm.	± 2mm
LESS THAN 1000mm.	± 1mm
ANGULAR DIMENSIONS.	± 0°15'

SECTION SCHEDULE	
1	250 150 MAIN RAIL SECTION 250x150x5.0 RHS.
2	150 150 VERTICAL CONNECTOR SECTION 150x150x8 SHS
3	384 15 CONNECTOR BACKING PLATE SECTION 384x204x15

NOTE: ALL ACCUMULATIVE TOLERANCES ARE TO BE CONTAINED WITHIN THE OVERALL TOLERANCE.

SITE ERECTION TOLERANCES.
WILL VARY TO SUIT SITE CONDITIONS.

ALL STANDARDS QUOTED ARE DEEMED CURRENT AT THE DATE THE DRAWING IS ISSUED FOR APPROVAL, UNLESS OTHERWISE STATED.

THIS DRAWING TO BE USED ONLY WITH
W/O.No.

DRAWING TO BE RETURNED TO DRAWING OFFICE ON COMPLETION OF WORK

SCALE	DATE	29/06/2012
DRN. P.G.H.	CHK. D.V.C.	



MDS BARRIERS
610 N. Mountain Rd
Newington CT 06111
Tel: 860-289-8033
www.MDSBARRIERS.com

TITLE
STANDARD ARRANGEMENT DRAWINGS OF VGSH 4000 SERIES STEEL PARAPET SYSTEM. SAFETY FENCE CONNECTION TO TRANZFLEX 170 TRANSITION SAFETY FENCE.

DRAWING NUMBER
VGSH 4000 - 06-WB

* ALTERNATIVE FIXINGS: AS A COST OPTION - IF THE PARAPET FINISH IS HOT DIPPED GALVANISED ONLY ALL FIXINGS CAN BE STAINLESS STEEL TO BS.EN.ISO.3506-1 GRADE A4/80 SUPPLIED WITH APPROPRIATE NYLON ISOLATION WASHERS.

ALL DIMENSIONS IN MM.
VGSH 4000 PARAPET SYSTEMS ARE COVERED BY DESIGN RIGHTS AND PATENT PENDING.