



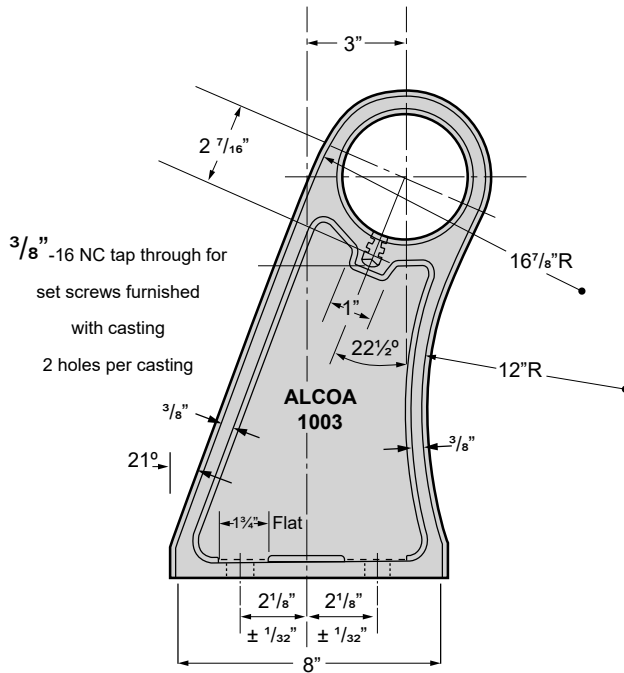
BRIDGE RAILING SYSTEMS

CAST POST

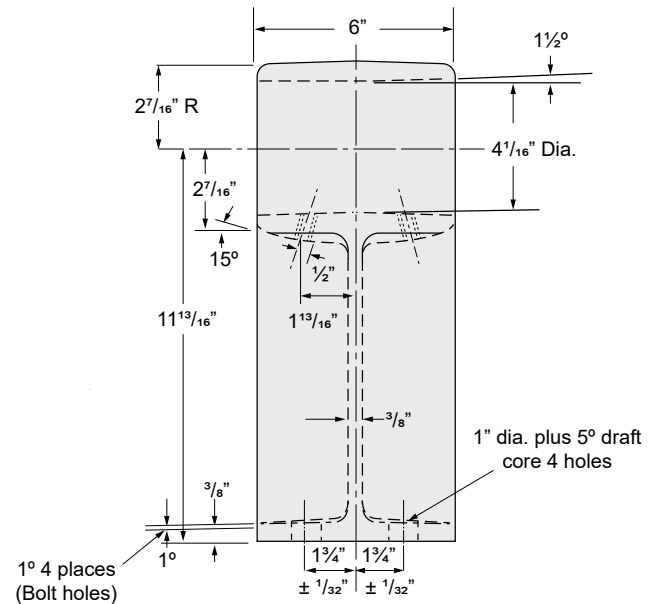
1-RAIL

No. MDS-1003-A

PEDESTAL



RAIL



TUBE ALLOY 6061-T6

ITEM	Pcs.	Description	Size	Unit Wt.	Total Wt.
1	1	Rail	4" O.D. x $\frac{1}{8}$ " wall x 8'-11" long	1.79 lb/ft	15.95
2	1	*†Post Alcoa No. 1003			14.05
					30.00

TUBE ALLOY 6063-T6

ITEM	Pcs.	Description	Size	Unit Wt.	Total Wt.
1	1	Rail	4" O.D. x $\frac{1}{8}$ " wall x 7'-5" long	1.79 lb/ft	13.28
2	1	*†Post Alcoa No. 1003			14.05
					27.33

POST ALLOY A356-T6

ITEM	Pcs.	Description	Size	Unit Wt.	Total Wt.
1	1	Post Alcoa No. 1003	14.625" tall x 8" deep x 6" wide	9lbs	9

* 1003 Post is cast

†Available as end post 1003-EL (Left Hand) or 1003-ER (Right Hand)

Alcoa MDS-1003-A single tube bridge rail & pedestal

Palm River Bridge

Designed by: Florida State Road Department
Tampa Florida.

